

NOTE:

1. PIN CONFIG.

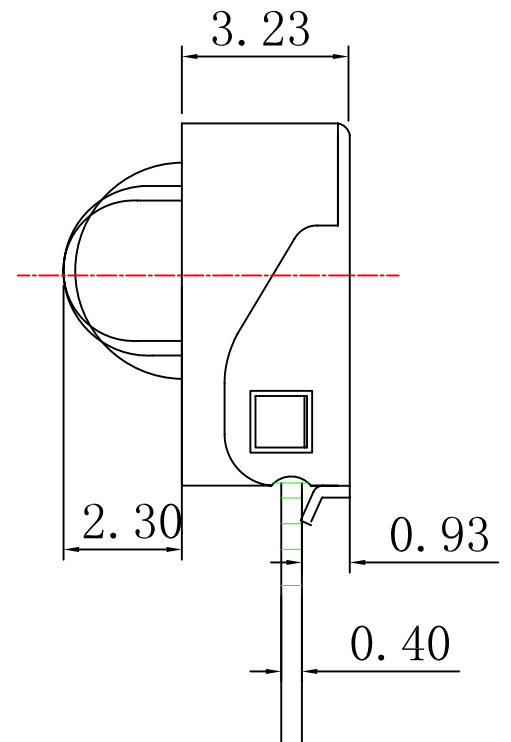
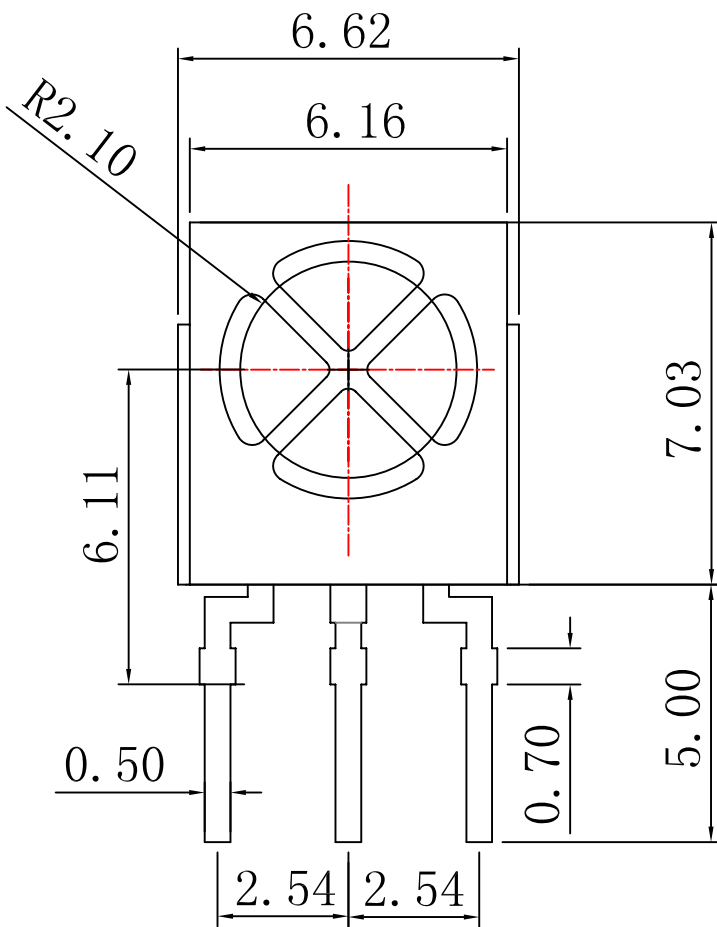
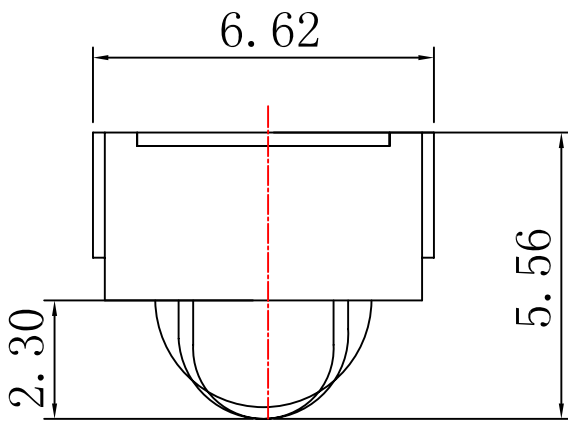
① Vout

② GND

③ Vcc

2. G.T  $\pm 0.3$

(UNIT:mm)



① ② ③